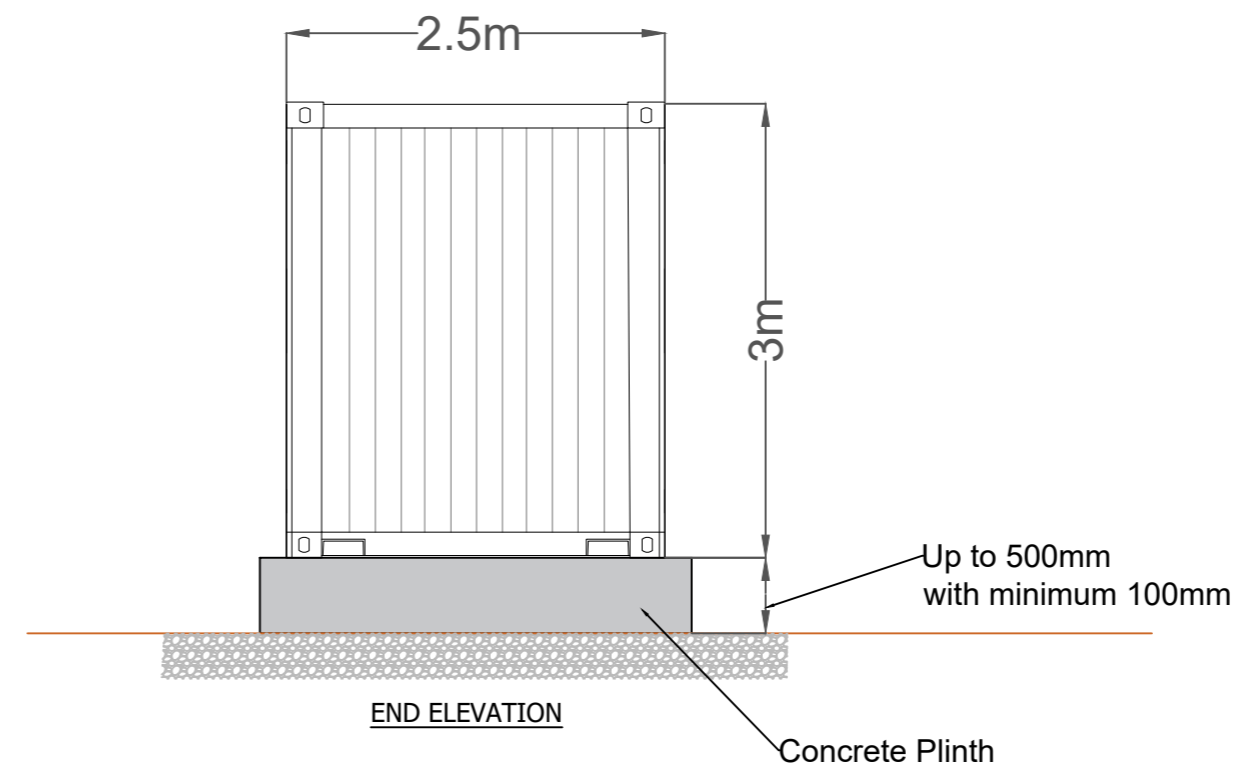
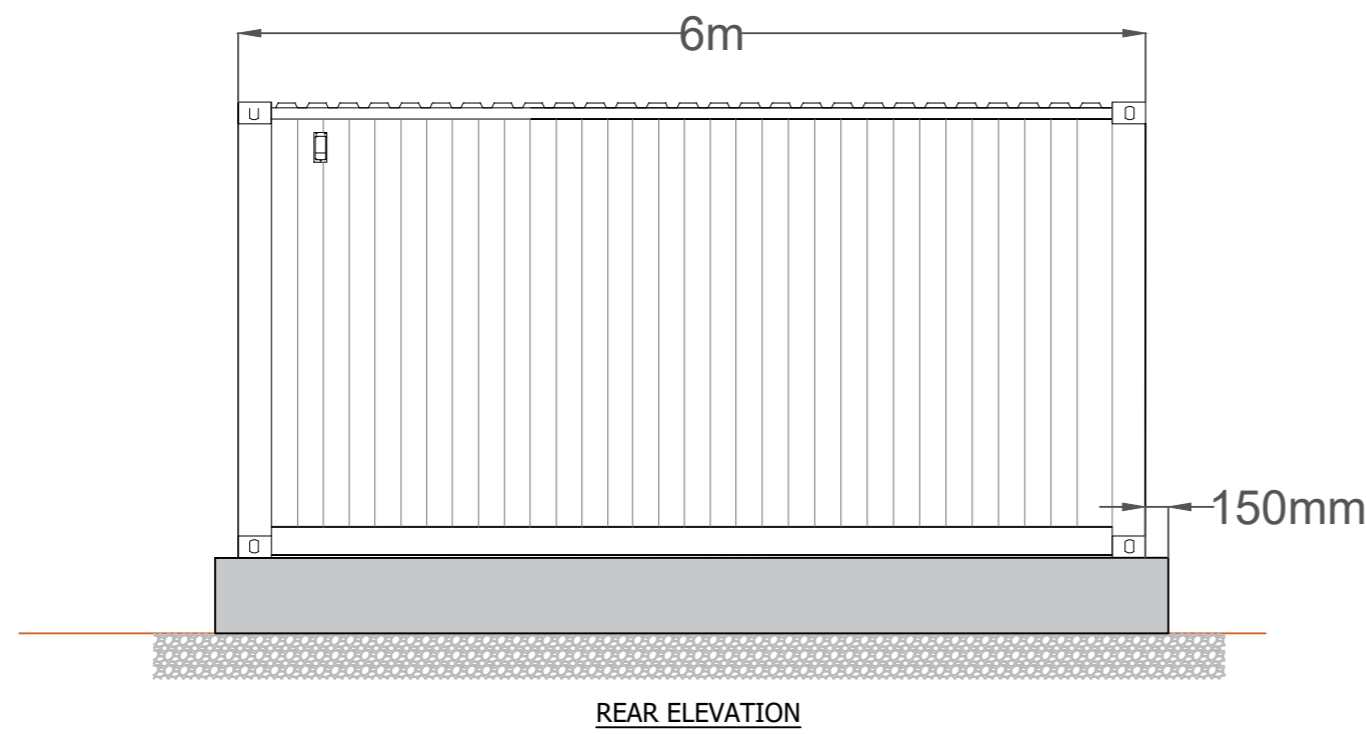
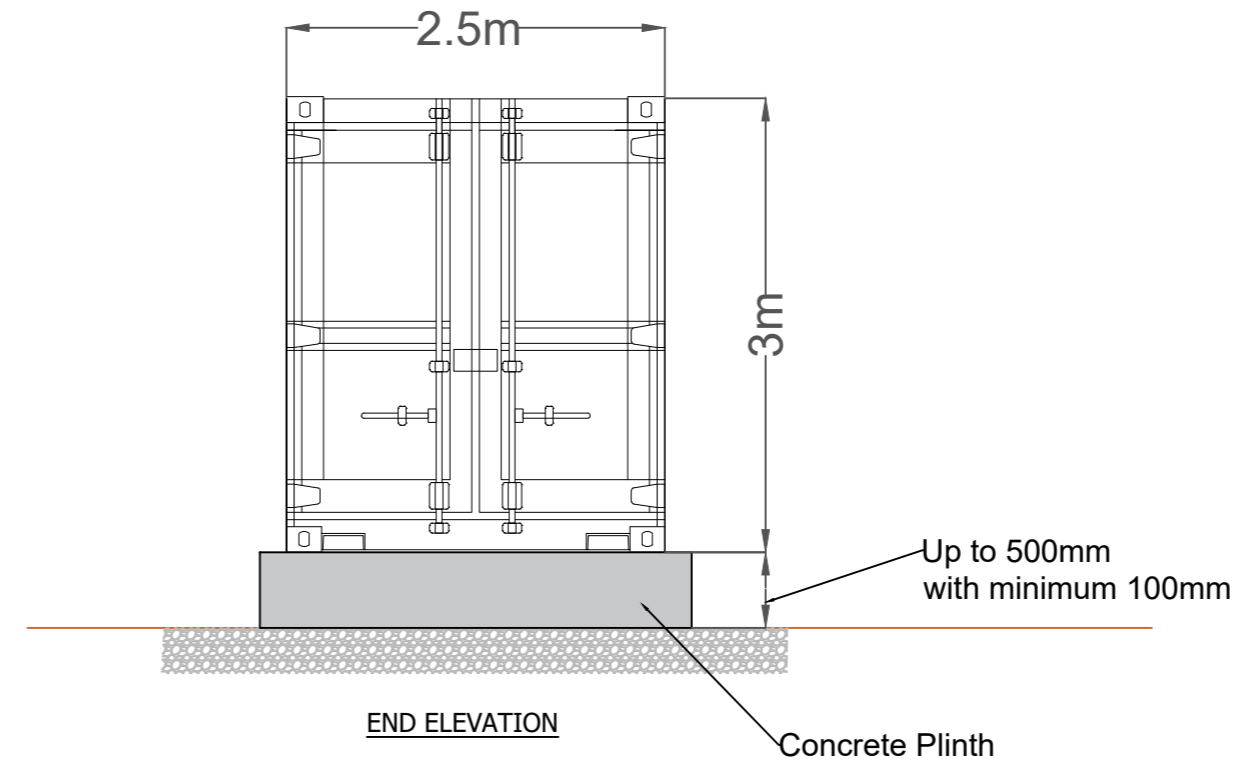
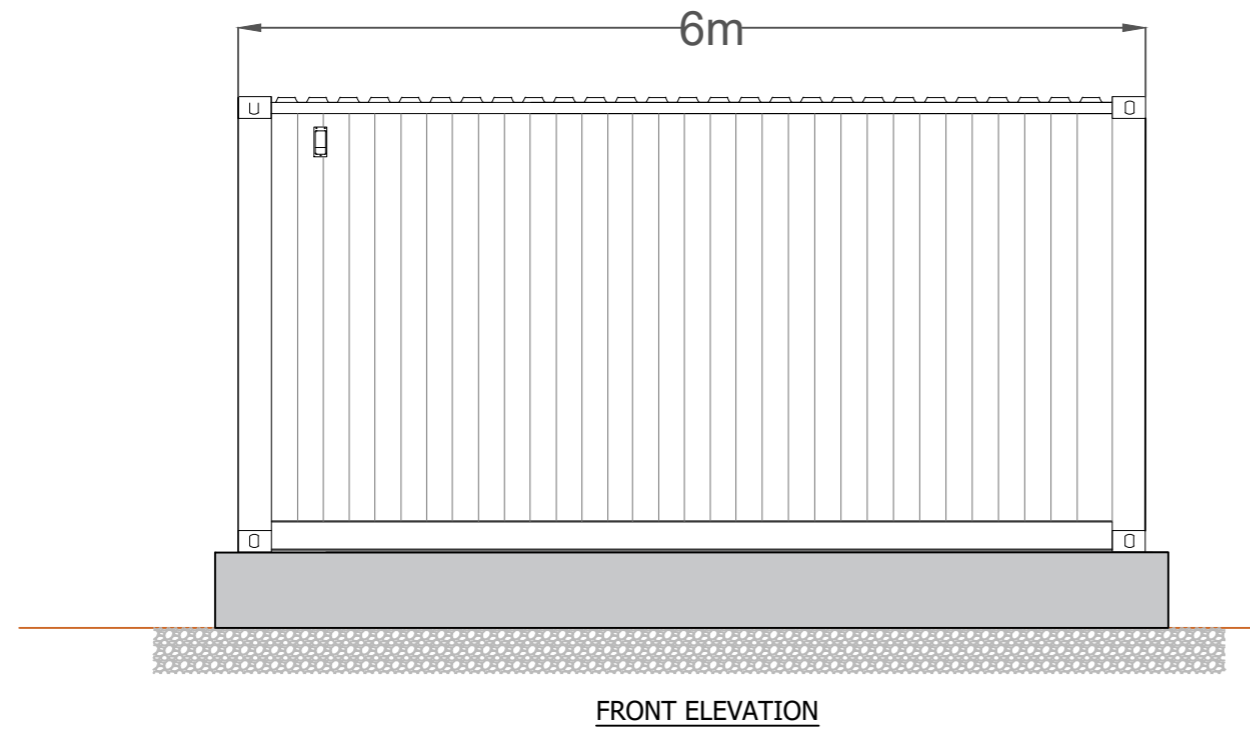


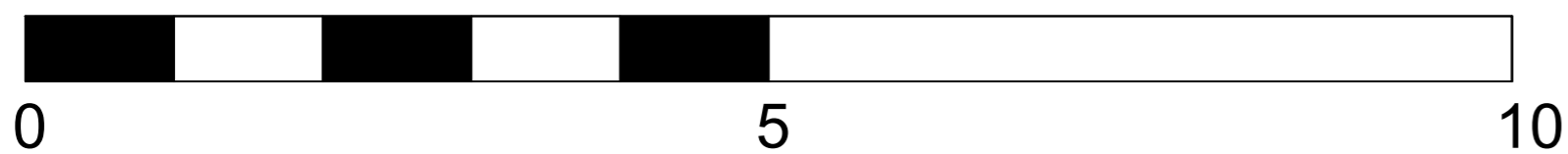
- Notes**
1. Verifying Dimensions: The contractor shall verify dimensions against such other drawings or site conditions as pertain to this part of the work.
  2. Existing Services: Any information concerning the location of existing services (above and below ground) indicated on this drawing is intended for general guidance only. All services should be checked on site prior to any work commencing.
  3. If received electronically it is the recipient's responsibility to print to correct scale. Only written dimensions should be used.
  4. © Crown copyright and database rights 2022 Ordnance Survey 0100031673.

**LEGEND**

Typical Storage Container unit, external appearance subject to final design and supplier.



**SCALE**



Rev	Description	By	CB	Date



Project GENERAL

Title TYPICAL STORAGE CONTAINER

Status Planning Drawn By Gareth Gardener PM/Checked by Elgin  
 Site Ref General Scale @ A2 1:50 Original Date Created 24th Jan 2023

Drawing Number ELGIN-BESS-003 Rev -