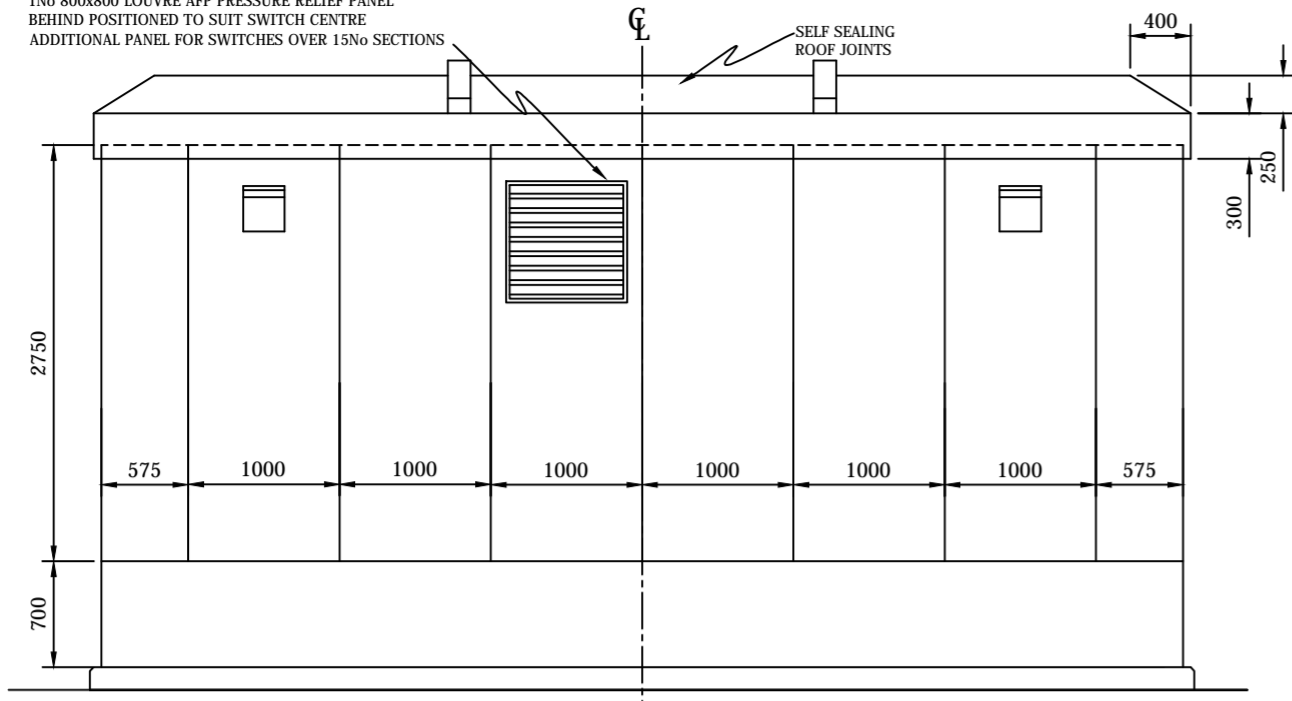
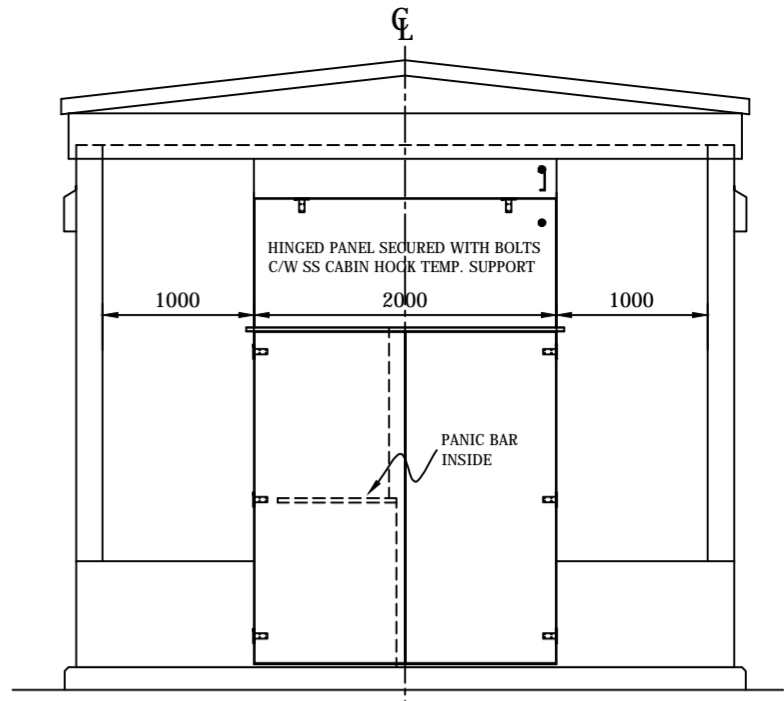


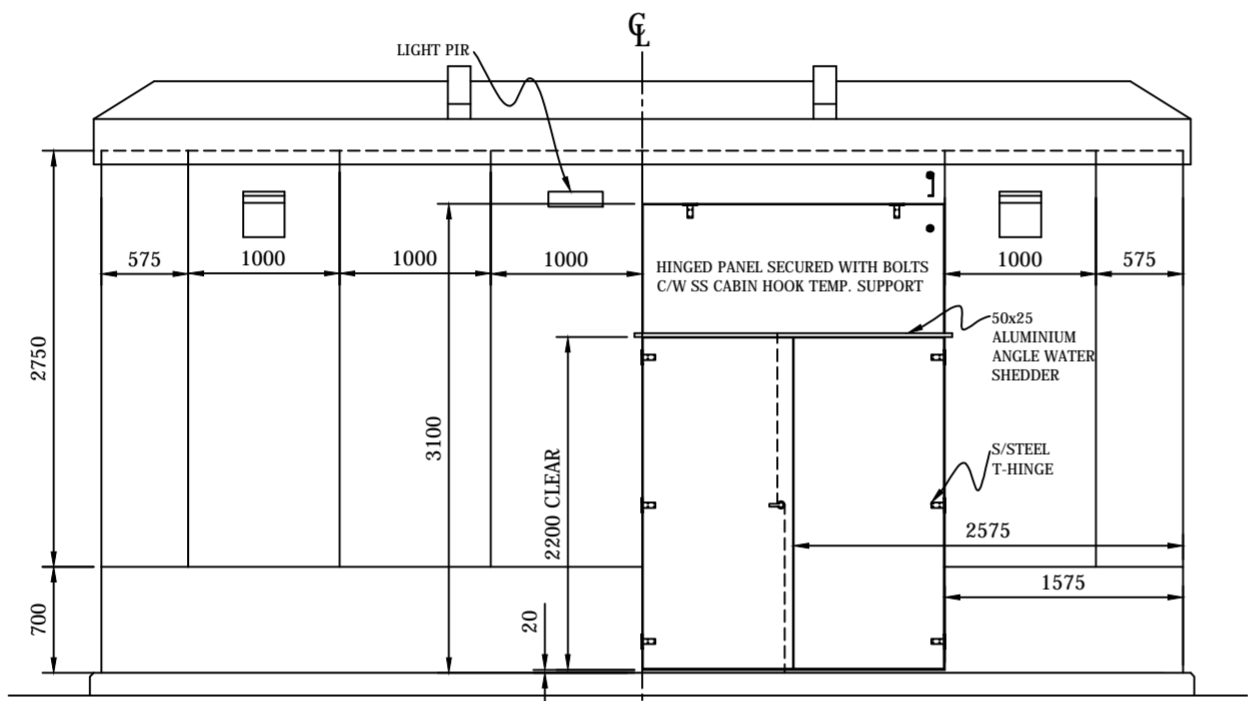
1 No 800x800 LOUVRE AFP PRESSURE RELIEF PANEL
BEHIND POSITIONED TO SUIT SWITCH CENTRE
ADDITIONAL PANEL FOR SWITCHES OVER 15No SECTIONS



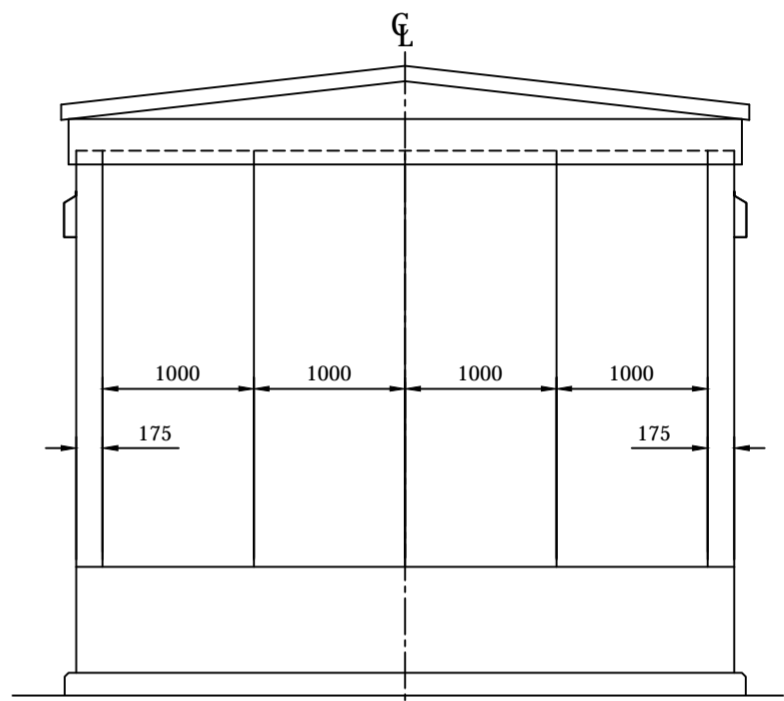
VIEW B



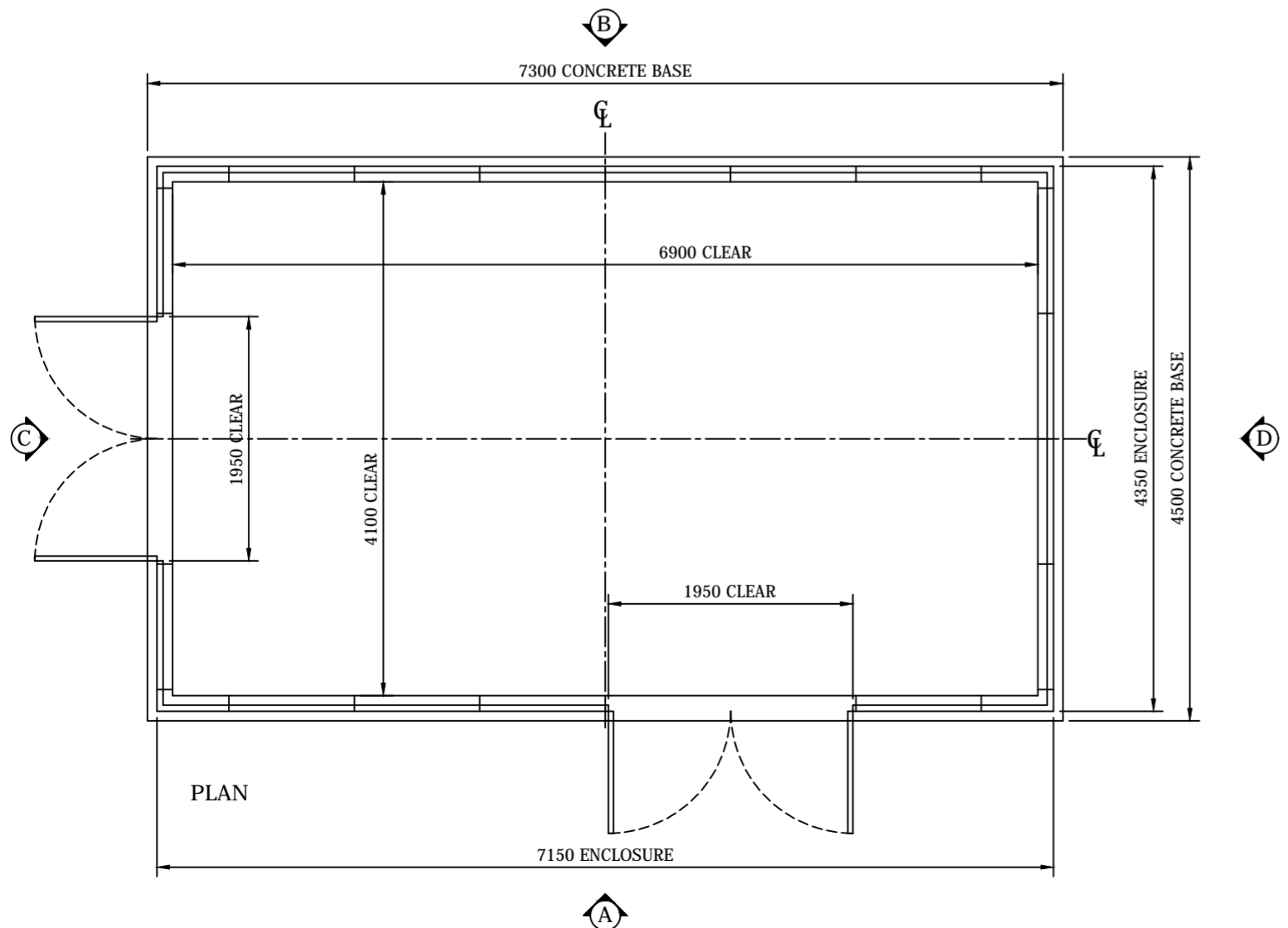
VIEW C



VIEW A



VIEW D



PLAN

Typical 33kV Switchgear Elevations
DNO & Customer